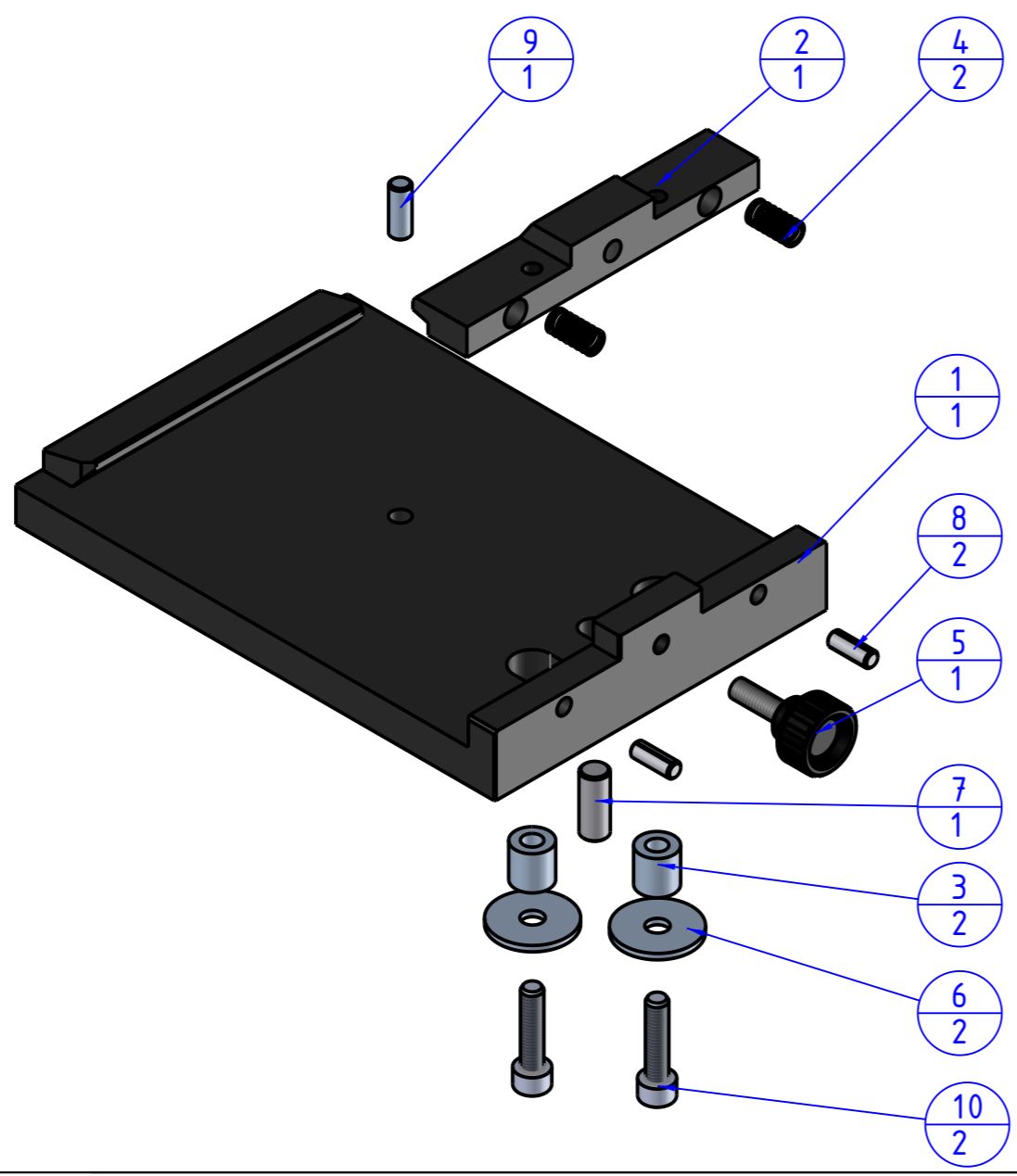
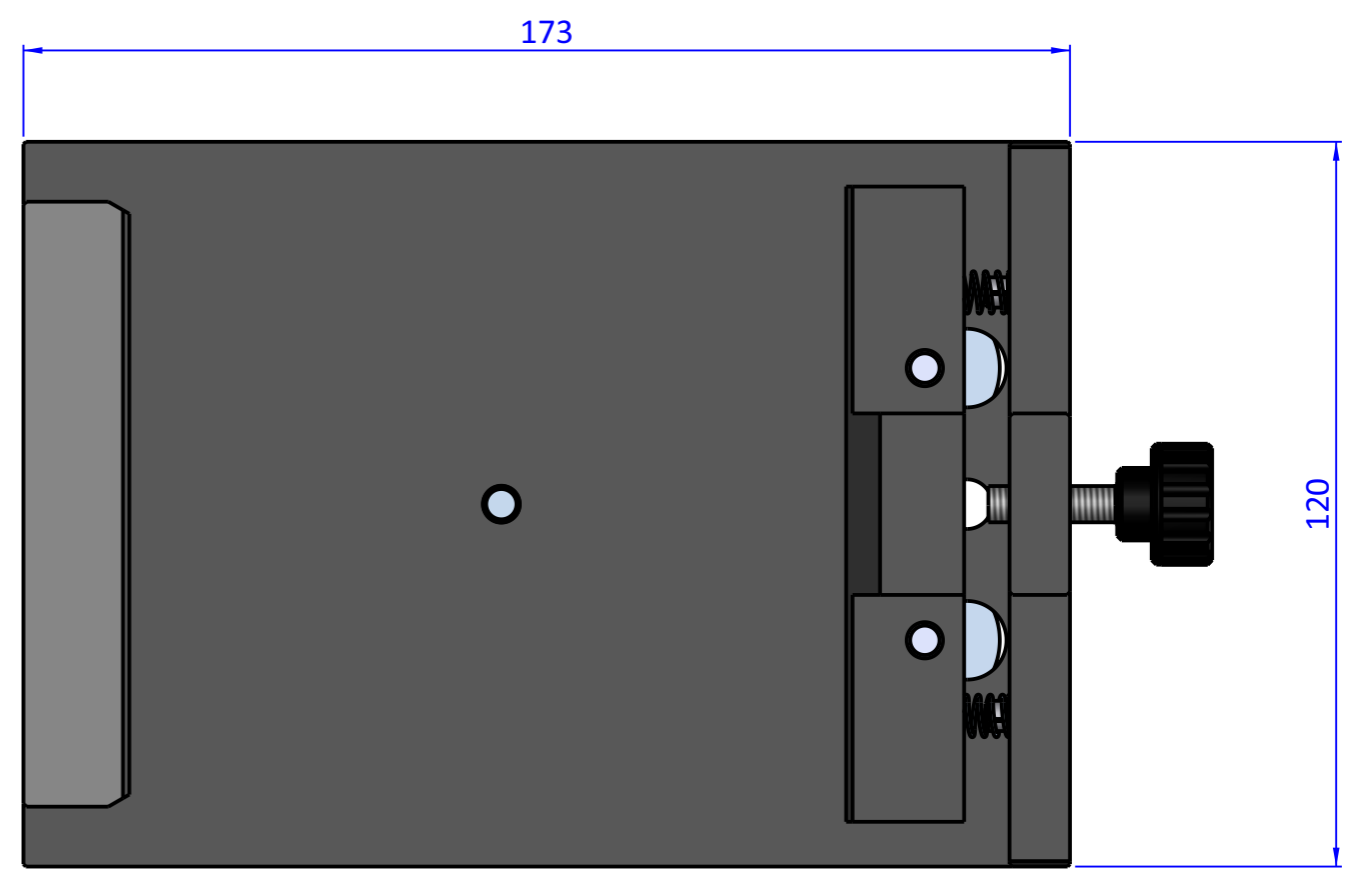
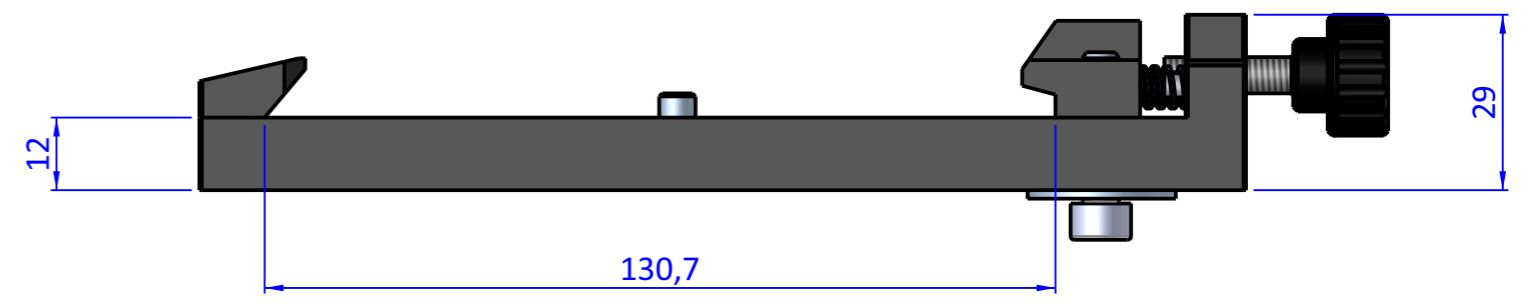



Item	Name	Q.ty
1	01.02.003.01	1
2	01.02.003.02	1
3	01.02.003.03	2
4	M.7x18	2
5	POM.6581	1
6	R.6.Larga	2
7	SP.8x20	1
8	SPI.5x14	2
9	SPI.6x16	1
10	V.TCE6x25	2



THE PROPERTY OF THE DRAWING IS ESTABLISHED BY LAW. IT IS FORBIDDEN TO PRODUCE OR SHOW IT TO THIRD PART. WITHOUT A WRITTEN AGREEMENT.

Format A3
UNI 936-76

 FPS FPSERVICES AUTOMATION		DESIGNED FROM FPS Automation		REVIEW A
		DATE 19/07/2024	WEIGHT 0,802kg	
GENERAL TOLERANCE UNI - ISO 2768 CLASSE f	DESCRIPTION CA.01.02.003		CODE CA.01.02.003	